



METROLOGICAL PERFORMANCE

Size of Meter	Acc(%)	40mm	50mm	65mm	80mm	100mm	150mm	200mm	250mm	300mm	350mm	400mm	450mm	500mm	600mm	
Minimum Flow Q min	m ³ /h ±5	0.3	0.45	0.75	1.20	1.80	4.50	7.50	12.00	18.00	24	30.00	37.5	45.00	75.00	
Transitional flow Qt	m ³ /h ±2	2	3	5	8	12	30	50	80	120	160	200	250	300	500	
Nominal flow Qn	m ³ /h ±2	10	15	25	40	60	150	250	400	600	800	1000	1250	1500	2500	
Maximum flow Q max	m ³ /h ±2	20	30	50	80	120	300	500	800	1200	1600	2000	2500	3000	5000	
Minimum Reading	m ³	0.002	0.002	0.002	0.002	0.002	0.02	0.02	0.02	0.02	0.02	0.02	0.02	0.02	0.02	
Maximum Reading	m ³	9999999 m ³					99999999 m ³ x10					99999999 m ³ x100				
Temperature Suitability	°C	45°C														
Pressure Test	Kg/cm ²	20kg/ cm ²														

- W
E
T
O
Z
1. Above particulars relate to cold water meters suitable for temperature up to 45°C.
 2. As constant efforts are made to improve the design, details given in the leaflet, are subject to change or modify without any prior notice.
 3. Flanges drilled as per IS:1538 Part IV & VI

STANDARD

Conforms to ISO 4064/1 Class-B

APPLICATIONS

Water Distribution Network Industrial
Commercial Water Supply

SALIENT FEATURES

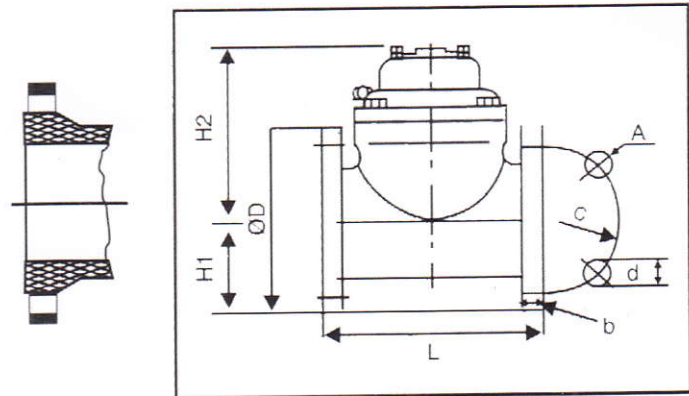
- Dry dial magnetic driven flange ends
- Interchangeable spare without interrupting water supply
- Provide resistance against condensation hermetically sealed, IP68
- Offer high measurement sensitivity and accuracy
- Offer Size range from 40mm to 600mm

WORKING CONDITIONS

- Water Temperature 45°C
- Water Pressure < 1MPa
- Pressure Loss < 0.1 MPa
- Maximum Pressure -16 Bar

OPTIONS

- Hot Water Meters (<90°C)



METER DIMENSIONS

Size of Meter	40mm	50mm	65mm	80mm	100mm	150mm	200mm	250mm	300mm	350mm	400mm	450mm	500mm	600mm
Length (L) mm	245	200	200	225	250	300	350	450	500	500	600	600	600	800
Height (H1) mm	68.5	78	87	95	102	135	162	196	223	254	282	307	334	390
Height (H2) mm	185	188	183	182	183	185	213	286	287	321	323	382	396	450

FLANGES DIMENSIONS

Size of Meter	40mm	50mm	65mm	80mm	100mm	150mm	200mm	250mm	300mm	350mm	400mm	450mm	500mm	600mm
Dia Bolt Circle (c)	110	125	145	160	180	240	295	350	400	460	515	565	620	725
Dia Bolt Holes (d)	19	19	19	19	19	23	23	23	23	23	28	28	28	31
Number of Holes (A)	4	4	4	4	8	8	8	12	12	16	16	20	20	20
Outside Dia of Flanges (D)	150	165	185	200	220	285	340	395	445	505	565	615	670	780
Thickness of Flanges (b)	19	19	20	21	22	23	24.5	26	27.5	29	30	31.5	33	36